

# YH-RE Ultra-Compact Closed-Center Hydraulic Cylinder with Proximity Bracket



## Application / Benefits

Ultra compact closed center cylinder with brackets for proximity switches (switches not included)

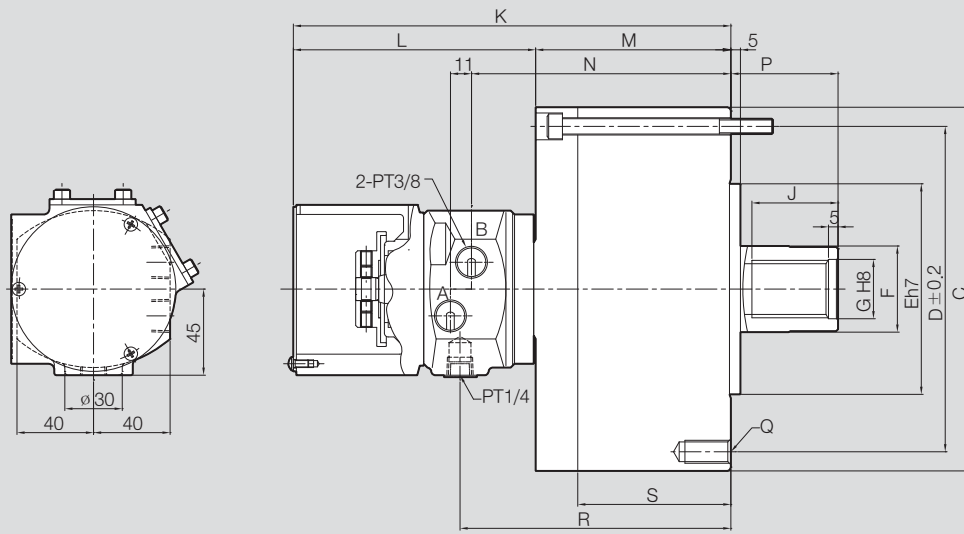
## Technical features

Check valve maintains pressure during power outage

## SPECIFICATIONS

	YH-10120RE	YH-10125RE	YH-12125RE	YH-12140RE	YH-15130RE	YH-15150RE	YH-20135RE	YH-20150RE	YH-25160RE
Piston Stroke [mm]	20	25	25	40	30	50	35	50	60
Piston Surface Area (Push) [cm <sup>2</sup> ]	78	78	114	114	168	168	305	305	515
Piston Surface Area (Pull) [cm <sup>2</sup> ]	73	73	106	106	154	154	283	283	482
Piston Force (Push) [kN(kgf)]	29(2960)	29(2960)	42(4326)	42(4326)	63(6375)	63(6375)	114(11573)	114(11573)	193(19541)
Piston Force (Pull) [kN(kgf)]	27(2770)	27(2770)	39(4022)	39(4022)	57(5843)	57(5843)	105(10738)	105(10738)	180(18289)
Max. Operating Pressure [MPa(kgf/cm <sup>2</sup> )]	40(40.8)	40(40.8)	40(40.8)	40(40.8)	40(40.8)	40(40.8)	40(40.8)	40(40.8)	40(40.8)
Max. r.p.m. [min <sup>-1</sup> ]	6000	6000	6000	6000	5500	5500	5500	5500	2000
Moment of inertia [N · m <sup>2</sup> (kg · m <sup>2</sup> )]	0.49(0.05)	0.49(0.05)	0.88(0.09)	0.88(0.09)	1.86(0.19)	1.96(0.2)	3.82(0.39)	4.12(0.42)	9(0.92)
Weight [kg]	7.6	7.7	10.5	11	14	14.5	22.5	23.5	88
Total leakage [ℓ /min]	0.8	0.8	0.8	0.8	0.8	0.8	0.8	0.8	0.8

※ Specifications are subject to change without notice.



## DIMENSIONS

	YH-10120RE	YH-10125RE	YH-12125RE	YH-12140RE	YH-15130RE	YH-15150RE	YH-20135RE	YH-20150RE	YH-25160RE
ΦC	135	135	160	160	190	190	245	245	305
ΦD	118	118	142	142	170	170	222	222	275
ΦE	80	80	110	110	110	110	120	120	160
ΦF	30	30	35	35	45	45	55	55	65
ΦG	21	21	25	25	31	31	37	37	44
J	35	35	44	44	45	55	60	60	65
K	209.6	214.6	220.6	267.1	228.6	280.1	240.6	280.1	310
L	126.6	126.6	126.6	156.6	126.6	158.1	133.6	158.1	136
M	83	88	94	109	102	122	107	122	142.5
N	116.5	121.5	127.5	142.5	135.5	155.5	140.5	155.5	176
P max.	45	45	51	65	56	80	69	80	85
P min.	25	20	26	25	26	30	34	30	25
Q	6-M10x20	6-M10x20	12-M12x24	12-M12x24	12-M12x24	12-M12x24	12-M16x30	12-M16x30	12-M20x35
R	122.5	127.5	133.5	148.5	141.5	161.5	146.5	161.5	182
S	67	72	72	87	80	100	85	100	120.5