

# Y-R Standard Closed-Center Hydraulic Cylinder



## Application / Benefits

For closed center chucks and work not requiring spindle through

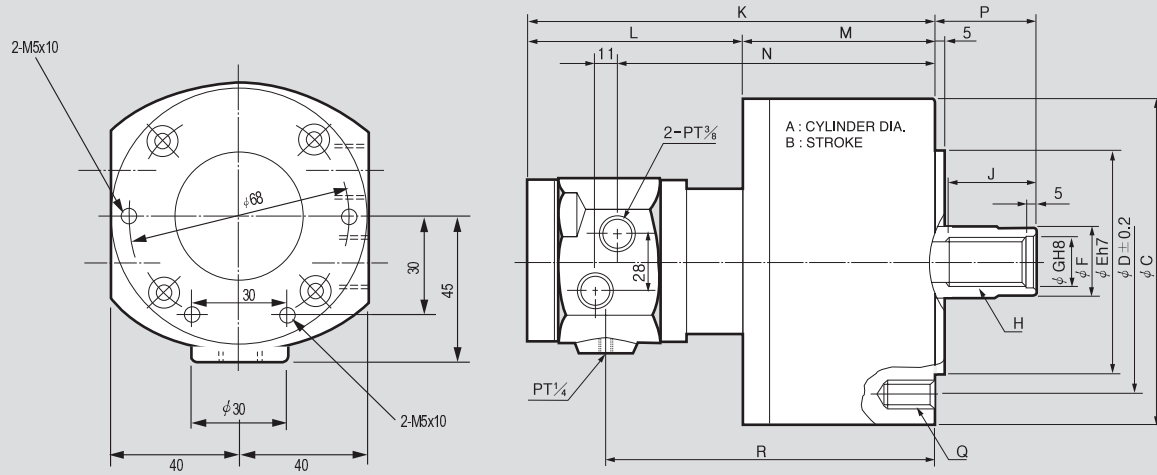
## Technical features

Check valve maintains pressure during power outage

## SPECIFICATIONS

	Y-0715R	Y-1020R	Y-1225R	Y-1530R	Y-2035R
Piston Stroke [mm]	15	20	25	30	35
Piston Surface Area (Push) [cm <sup>2</sup> ]	44	86	122	176	314
Piston Surface Area (Pull) [cm <sup>2</sup> ]	37	79	113	160	290
Piston Force (Push) [kN(kgf)]	16.6(1693)	32.0(3264)	46.0(4692)	66.0(6732)	117.0(11934)
Piston Force (Pull) [kN(kgf)]	13.9(1417)	29(2957)	42(4283)	60(6118)	108(11013)
Max. Operating Pressure [MPa(kgf/cm <sup>2</sup> )]	4.0(40.8)	4.0(40.8)	4.0(40.8)	4.0(40.8)	4.0(40.8)
Max. r.p.m. [min <sup>-1</sup> ]	6000	6000	6000	5500	5500
Moment of inertia [N · m <sup>2</sup> (kg · m <sup>2</sup> )]	0.118(0.012)	0.49(0.05)	0.88(0.09)	1.86(0.19)	3.82(0.39)
Weight [kg]	4	7.1	10	13.5	22
Total leakage [l /min]	0.8	0.8	0.8	0.8	0.8
KITAGAWA® Model	Y-0715R	Y-1020R	Y-1225R	Y-1530R	Y-2035R

- ※ Specifications are subject to change without notice.
- ※ Piston forces measured at max pressure of 4.0MPa (40.8 kgf/cm<sup>2</sup>)
- ※ Total leakage measured at cylinder pressure of 3.0MPa(30.6 kgf/cm<sup>2</sup>) and oil temperature at
- ※ Samchully Machinery Co., Ltd. is no longer an OEM manufacturer for kitagawa Iron Works Co., Ltd



## DIMENSIONS

	Y-0715R	Y-1020R	Y-1225R	Y-1530R	Y-2035R
A	75	105	125	150	200
B	15	20	25	30	35
ΦC	104	135	160	190	245
ΦD	90	100	130	130	145
ΦE	65	80	110	110	120
ΦF	30	30	35	45	55
ΦG	21	21	25	31	37
H max.	M20x2.5	M20x2.5	M24x3.0	M30x3.5	M36x4.0
J	35	35	44	45	60
K	172	197	205	214	228
L	106	108	108	108	106
M	66	89	97	106	122
N	127	152	160	169	183
P max.	46	45	51	56	69
P min.	31	25	26	26	34
Q	6-M6x20	6-M10x20	6-M12x24	6-M12x24	12-M16x30
R	133	158	166	175	189