

# SHL Mega-Bore Short-Body Long-Stroke Open Center Hydraulic Cylinder



## Application / Benefits

For work requiring through hole and long stroke

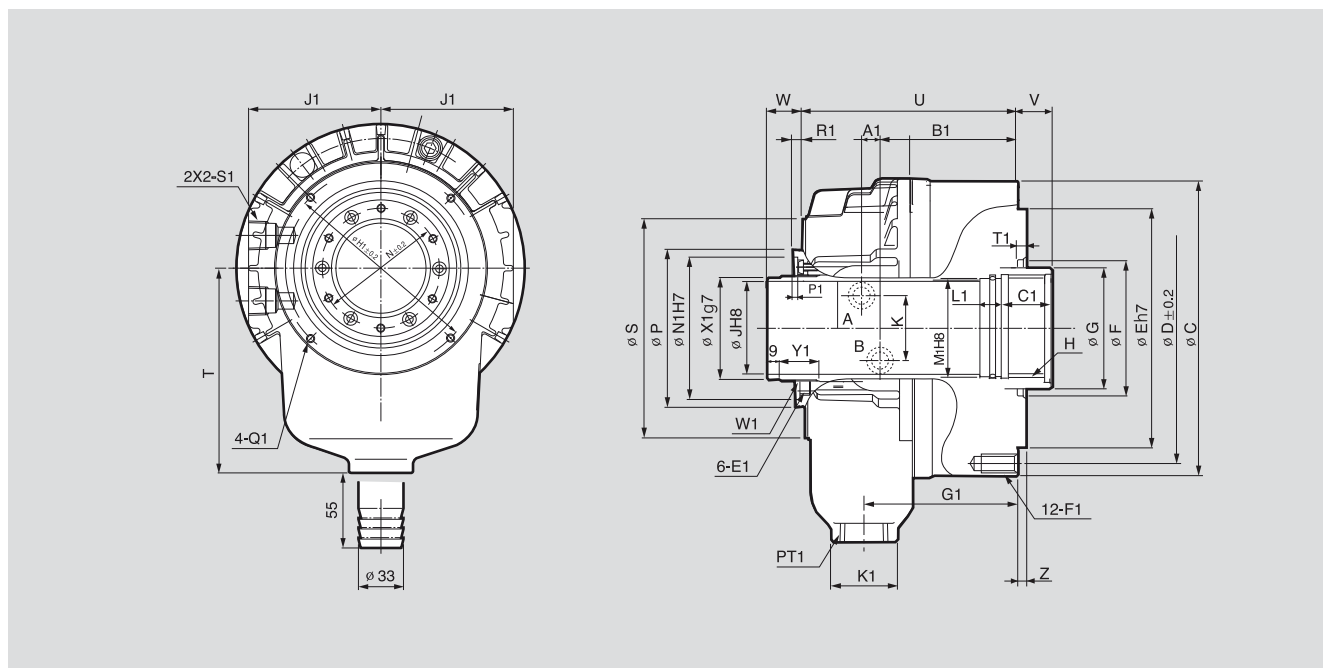
## Technical features

Check valve maintains pressure during power outage

## SPECIFICATIONS

	SHL-17068	SHL-18077	SHL-25011	SHL-39024
Available I.D. [mm]	68	77	117.5	240
Piston Dia. [mm]	170	185	255	390
Piston Stroke [mm]	40	40	50	51
Piston Force (Push) [kN(kgf)]	63(6531)	75.3(7632)	132(13390)	152.5(15570)
Piston Force (Pull) [kN(kgf)]	59.8(6060)	69.6(7087)	121(12305)	138.7(14152)
Max. Operating Pressure [MPa(kgf/cm <sup>2</sup> )]	4.0(40.8)	4.0(40.8)	4.0(40.8)	2.5(25)
Max. r.p.m. [min <sup>-1</sup> ]	5600	5000	3000	1500
Moment of inertia [N · m <sup>2</sup> (kg · m <sup>2</sup> )]	0.69(0.070)	0.86(0.088)	1.9(0.193)	39.64(4.045)
Weight [kg]	17.8	18.5	54	140
Total Leakage [l /min]	4	4.2	7	22

※ Specifications are subject to change without notice.



※ See the product dimension Table on the right.

## DIMENSIONS

	SHL-17068	SHL-18077	SHL-25011	SHL-39024
ΦC	210	218	310	450
ΦD	190	190	275	420
ΦE (기준경)	160	160	230	320
ΦF	120	120	166	280
ΦG	85	95	140	265
H max.	M75x2.0	M85x2.0	M130x2.0	M250x3.0
ΦJ	68	77	117.5	240
K	48	48	46	30
ΦN	88	98	138	268
ΦP	111	121	170	310
ΦS	154	164	230	370
T	150	165	107.5	340
U	175	182	258	302.5
V max.	35	35	46	50
V min.	-5	-5	-4	-1
W max.	65	65	87	76
W min.	25	25	37	25
Z	5	5	6	6
A1	10	10	19	22
B1	128	134.5	176.5	199
C1	35	35	45	45
E1	M6	M6	M6	M6
F1DP*	M10x20	M10x20	M16x32	M16x40
G1	133	140	190.5	215
H1	145	155	206	350
J1	97	102	140	215
K1	47	47	55	75
L1	15	15	120	20
M1	71	80	123	243
N1	100	108	150	284
P1	4	4	5.5	5.5
Q1	M6x10	M6x10	M6x12	M6x12
R1	7	7	7.5	7.5
S1	PT 1/2	PT 1/2	PT 1/2	PT 1/2
T1	5	5	6	6
W1	M74x1.5	M84x2.0	M124x2.0	M253x2.0
ΦX1	72.5	81	122	249
Y1	26	26	29	38