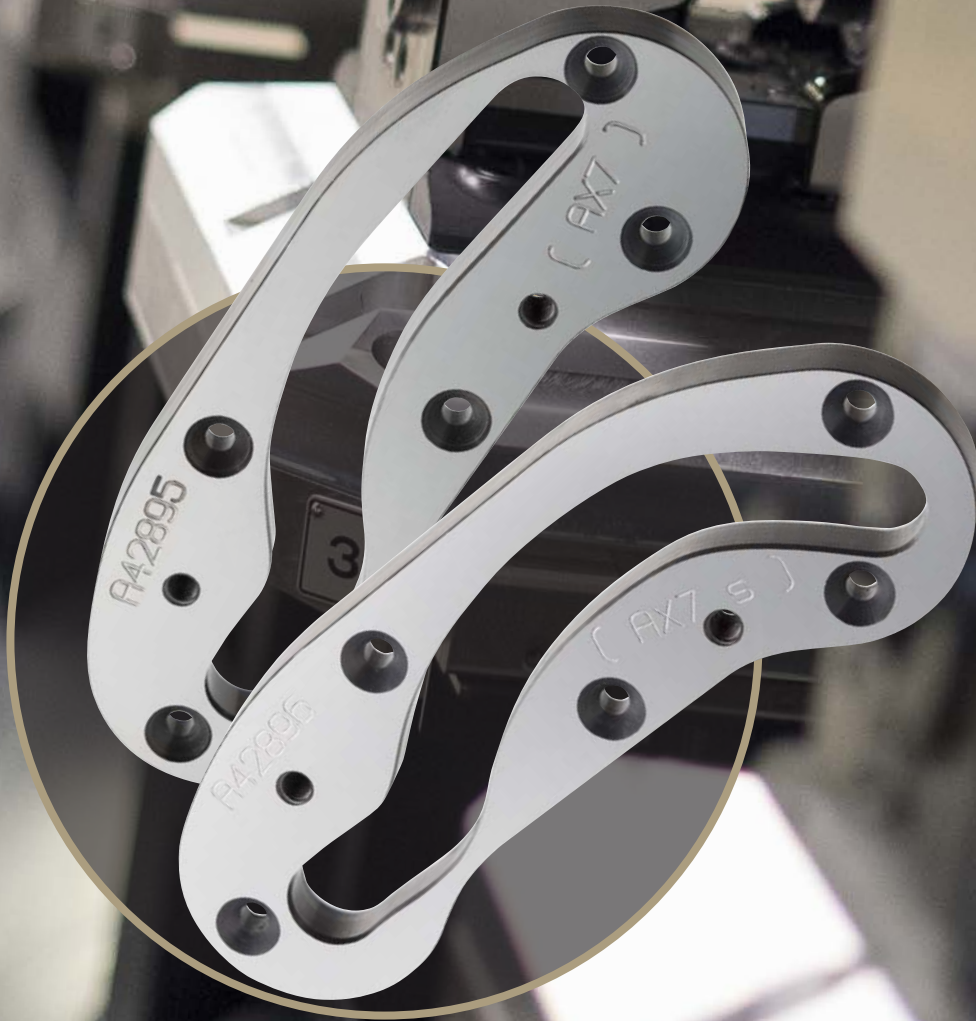


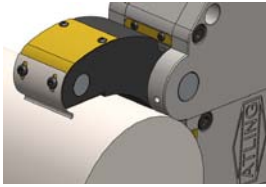
# Spare Parts



## Wiper

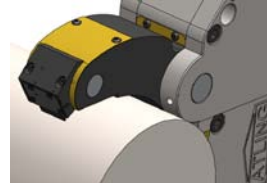
Wiper to remove dirt and chips from workpiece.

### Standard work piece wiper seals.



Atling SteadyRest can also be equipped with a standard wiper seal. The wiper seals have the same diameter and is fitted on the arm.  
*Manual adjustable.*

### Resilient work piece wiper seal.



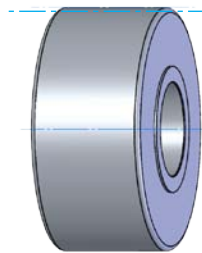
Resilient work piece follow the work piece diameter and do not need to be adjusted. Note that the minimum diameter can be increased when using this seal.

**Find the right part number.**

Model	AX1	AX2	AX3	AX4	AX5	AX6	AX7	AX8	AX8,5	AX8,7	AX9	AX10	AX11
Standard	A51001	A51002	A51002	A51004	A51005	A51005	A51007	A51008	A51009	A51009	A51009	A51010	A51011
Resilient		A50002	A50002	A50004	A50005	A50005	A50007	A50008	A50009	A50009	A50009	A50010	A50011

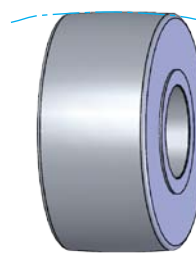
## Atling Steady Rest roller

### Cylindrical Roller



Used to hold the work piece. This type of roller have nearly a plain surface, and therefore this is standard when the Steady Rest is fixed during the processing.

### Cambered Roller



Used for traveling Steady Rest with the work piece. This type of roller have a convex surface, and is usually used when the Steady Rest is moving along the work piece during the process.

**Find the right part number.**

Model	1	2	3	4	5	6	7	8	8,5	8,7	9	10	11
Cylindrical	A5055044	A5055040	A5055040	A5055014	A5055026	A5055026	A5055005	A5055008	A5055017	A5055017	A5055017	A5551310	A5551311
Cambered	A5055050	A5551203	A5551203	A5551204	A5551205	A5551205	A5551207	A5551208	A5551209	A5551209	A5551209	A5551210	A5551211

## Swing Away

Swing Away option if you need the arms to open an extra amount when changing the work piece. The Swing Away can be applied to either the upper, the lower, or both arms. What ever you choose, the size for the Steady Rest will have the same gripping range.

### Track Plate



### Track Plate Swing



**Find the right part number.**

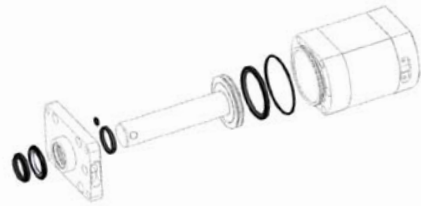
Model	AX1	AX2	AX3	AX4	AX5	AX/AS6	AX/AS7	AX/AS8	AX8,5	AX8,7	AX9	AX10	AX11
Standard	A43007	A42932	A42973	A42981	A42946	A42875	A42895	A42989	A43160	A30941	A42899	A43227	A43241
Swing Away	A43006	A42933	A42972	A42982	A42947	A42874	A42896	A42988	A43161	A30942	A42898	A43228	A43242

### Seal Kit Cylinder

Seal Kit Cylinder for AXI- and ASI-models



Seal Kit Cylinder for AXE- and ASE-models



Find the right part number.

Model	1	2	3	4	5	6	7	8	8,5	8,7	9	10	11
AXI/ASI				A5550412	A5550512	A5550612	A5550712	A5550812	A5550912	A5550912	A5550912	A5551012	A5551112
AXE/ASE	A5550102	A5550202	A5550302	A5550402	A5550502	A5550602	A5550702	A5550802	A5550902	A5550902	A550902	A5551002	A5551102

### Mini Booster Kit/Mini Booster

Seal Kit for Mini Booster



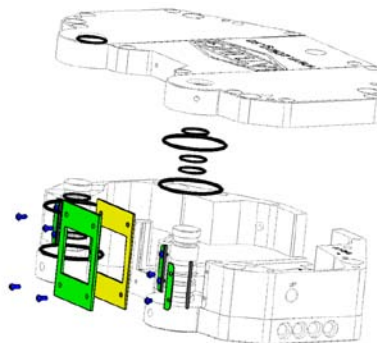
Mini Booster



Find the right part number.

	1	2	3	4	5	6	7	8	8,5	8,7	9	10	11
Mini Booster				A5235034	A5235034	A5235034	A5235034	A5235034	A5235034	A5235034	A5235034	A5235034	A5235034
Seal Kit for Mini Booster				A5550506	A5550506	A5550606	A5550606	A5550606	A5550606	A5550606	A5550606	A5550606	A5550606

### Seal Kit House



Find the right part number.

Model	1	2	3	4	5	6	7	8	8,5	8,7	9	10	11
AXI/ASI				A5550401	A5550501	A5550601	A5550701	A5550801	A5550901	A5550901	A5550901	A5551001	A5551101
AXE/ASE	A5550101	A5550201	A5550301	A5550401	A5550501	A5550601	A5550701	A5550801	A5550901	A5550901	A5550901	A5551001	A5551101

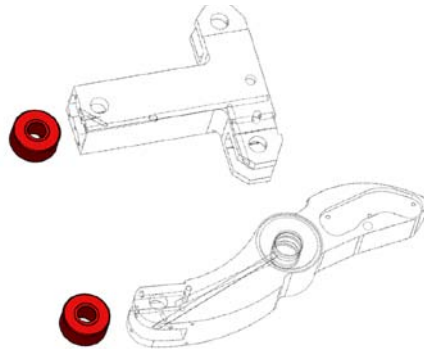
### Shafts Kit



Find the right part number.

Model	1	2	3	4	5	6	7	8	8,5	8,7	9	10	11
AXI/ASI				A5550405	A5550505	A5550605	A5550705	A5550805	A5550905	A5550905	A5550905	A5551005	A5551105
AXE/ASE	A5550105	A5550205	A5550305	A5550405	A5550505	A5550605	A5550705	A5550805	A5550905	A5550905	A5550905	A5551005	A5551105

### Rollers Kit

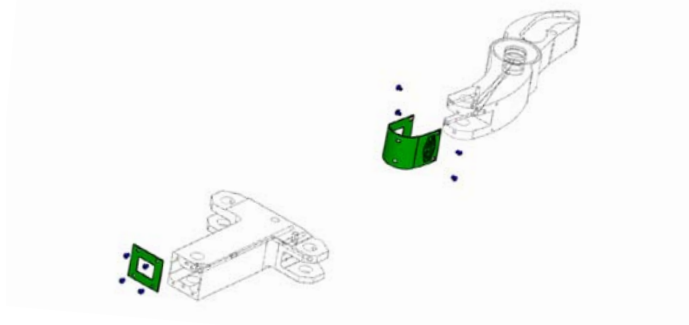


Find the right part number.

Model	1	2	3	4	5	6	7	8	8,5	8,7	9	10	11
AXI/ASI				A5550404	A5550504	A5550604	A5550704	A5550804	A5550904	A5550904	A5550904	A5551004	A5551104
AXE/ASE	A5550104	A5550204	A5550304	A5550404	A5550504	A5550604	A5550704	A5550804	A5550904	A5550904	A5550904	A5551004	A5551104

### Wipers Kit

Standard work piece wiper seals.



Find the right part number.

Model	1	2	3	4	5	6	7	8	8,5	8,7	9	10	11
AXI/ASI				A5550403	A5550503	A5550603	A5550703	A5550803	A5550903	A5550903	A5550903	A5551003	A5551103
AXE/ASE	A5550103	A5550203	A5550303	A5550403	A5550503	A5550603	A5550703	A5550803	A5550903	A5550903	A5550903	A5551003	A5551103